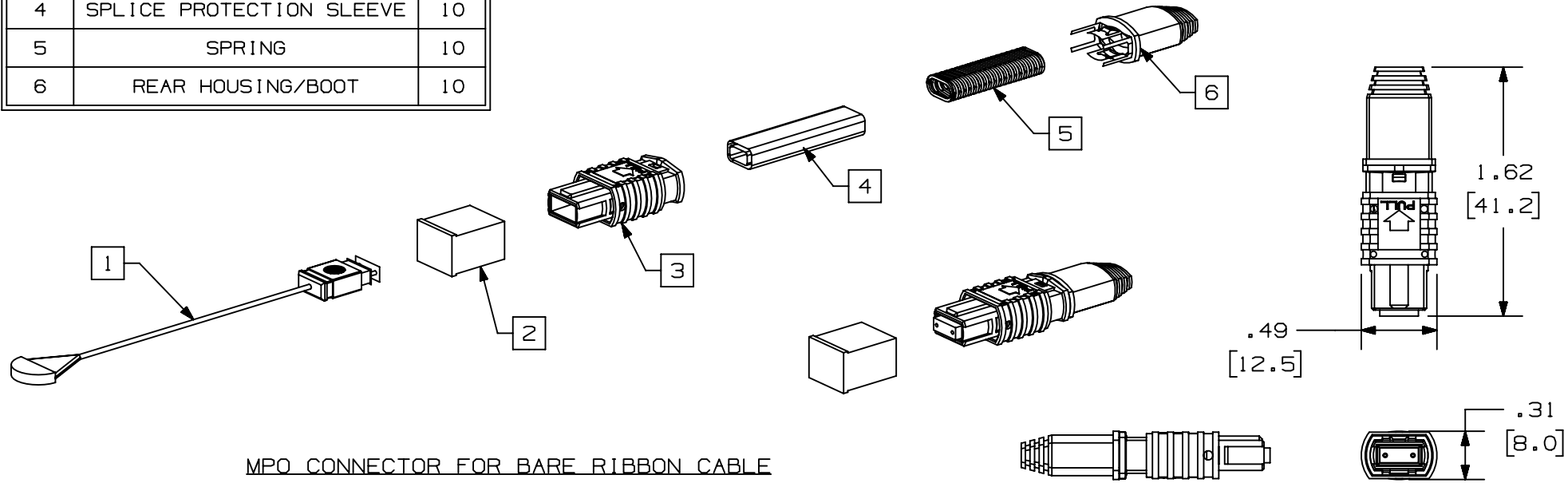


THIS COPY IS PROVIDED ON A RESTRICTED BASIS AND IS NOT TO BE USED IN ANY WAY DETRIMENTAL TO THE INTERESTS OF PANDUIT CORP.

TABLE 1 - COMPONENTS IN EACH BOX		
ITEM NO.	DESCRIPTION	QTY.
1	FERRULE SUBASSEMBLY W/DUST CAP	10
2	FRONT HOUSING DUST CAP	10
3	FRONT HOUSING	10
4	SPLICE PROTECTION SLEEVE	10
5	SPRING	10
6	REAR HOUSING/BOOT	10

NOTES:

- VISIT OUR ON-LINE CATALOG AT WWW.PANDUIT.COM FOR A LIST OF CURRENT PARTS APPLICABLE FOR USE WITH THIS PRODUCT.
- EACH BOX CONTAINS:
 - TEN (10) CONNECTORS
 - INSTALLATION INSTRUCTIONS
- WEIGHT OF BOX: 4.0 oz (0.25 lbs)
- TIA/EIA-604 FOCIS-5 COMPATIBLE.
- MEETS OR EXCEEDS TIA/EIA-568-D.3 PERFORMANCE REQUIREMENTS.
- COMPATIBLE WITH SUMITOMO FUSION SPLICERS.
- ALL MATERIALS AND COMPONENTS USED MEET THE MATERIAL RESTRICTIONS OF RoHS (EUROPEAN DIRECTIVE 2011/65/EU ON THE RESTRICTION OF HAZARDOUS SUBSTANCES) AS PROPOSED BY THE RoHS TECHNICAL ADAPTATION COMMITTEE.



MPO CONNECTOR FOR BARE RIBBON CABLE

TABLE 2 - BARE RIBBON CABLE PART NUMBERS		
PART NUMBER	DESCRIPTION	FRONT CONNECTOR HOUSING COLOR
FMPOFRSSSSGR	MPO SPLICE-ON CONNECTOR, FEMALE, FOR BARE RIBBON CABLE, STANDARD LOSS SINGLEMODE	GREEN
FMPOMRSSSSGR	MPO SPLICE-ON CONNECTOR, MALE, FOR BARE RIBBON CABLE, STANDARD LOSS SINGLEMODE	GREEN
FMPOFRSXMAQ	MPO SPLICE-ON CONNECTOR, FEMALE, FOR BARE RIBBON CABLE, OM3/OM4 MULTIMODE	AQUA
FMPOMRSXMAQ	MPO SPLICE-ON CONNECTOR, MALE, FOR BARE RIBBON CABLE, OM3/OM4 MULTIMODE	AQUA
FMPOFRSLSYL	MPO SPLICE-ON CONNECTOR, FEMALE, FOR BARE RIBBON CABLE, LOW LOSS SINGLEMODE	YELLOW
FMPOMRSLSYL	MPO SPLICE-ON CONNECTOR, MALE, FOR BARE RIBBON CABLE, LOW LOSS SINGLEMODE	YELLOW

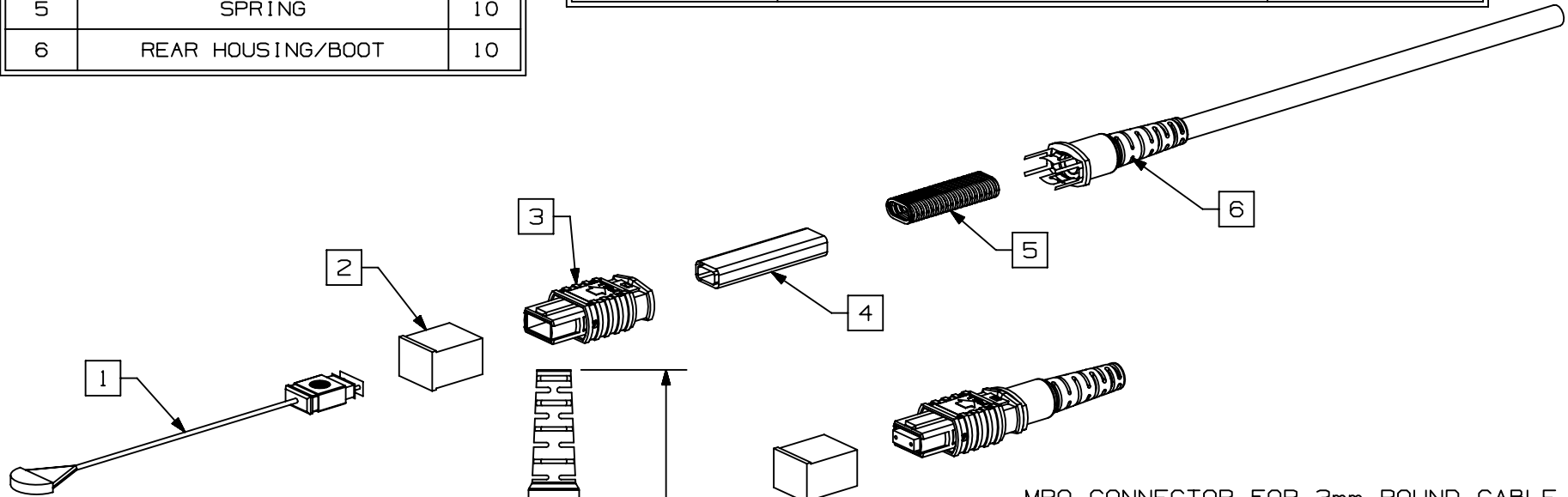
PART NUMBER		SEE TABLES 2 AND 4	
TITLE			
FIBER MPO SPLICE-ON CONNECTORS		CUSTOMER DRAWING	
ITEM REVISION NAME		18F274BH/01	
DATASET FILE NAME		18F274BH_DC/01A	
		THIRD ANGLE PROJECTION	
MATERIAL		MULTIPLE	
DRAWING NUMBER		18F274BH-DC	
REV	DATE	BY	CHK
01A	6/24/19	JSP	TMSE
DESCRIPTION		ECN	
INITIAL RELEASE		18F274BH-DC	
SCALE	NONE		SIZE
SHEET 1 OF 2		A	

A-SIZE CUSTOMER

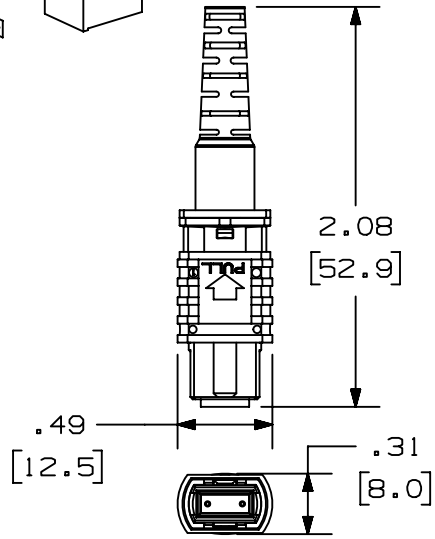
THIS COPY IS PROVIDED ON A RESTRICTED BASIS AND IS NOT TO BE USED IN ANY WAY DETRIMENTAL TO THE INTERESTS OF PANDUIT CORP.

TABLE 3 - COMPONENTS IN EACH BOX		
ITEM NO.	DESCRIPTION	QTY.
1	FERRULE SUBASSEMBLY W/DUST CAP	10
2	FRONT HOUSING DUST CAP	10
3	FRONT HOUSING	10
4	SPLICE PROTECTION SLEEVE	10
5	SPRING	10
6	REAR HOUSING/BOOT	10

TABLE 4 - 3mm ROUND CABLE PART NUMBERS		
PART NUMBER	DESCRIPTION	CONNECTOR HOUSING COLOR
FMPOF3SXMAQ	MPO SPLICE-ON CONNECTOR, FEMALE, FOR 3mm ROUND CABLE, OM3/OM4 MULTIMODE	AQUA
FMPOM3SXMAQ	MPO SPLICE-ON CONNECTOR, MALE, FOR 3mm ROUND CABLE, OM3/OM4 MULTIMODE	AQUA
FMPOF3SSSGR	MPO SPLICE-ON CONNECTOR, FEMALE, FOR 3mm ROUND CABLE, STANDARD LOSS SINGLEMODE	GREEN
FMPOM3SSSGR	MPO SPLICE-ON CONNECTOR, MALE, FOR 3mm ROUND CABLE, STANDARD LOSS SINGLEMODE	GREEN



MPO CONNECTOR FOR 3mm ROUND CABLE



PART NUMBER		SEE TABLES 2 AND 4	
TITLE		FIBER MPO SPLICE-ON CONNECTORS	
CUSTOMER DRAWING			
ITEM REVISION NAME	18F274BH/01		
DATASET FILE NAME	18F274BH_DC/01A		
		THIRD ANGLE PROJECTION	
MATERIAL	MULTIPLE		DRAWING NUMBER
		18F274BH-DC	
REV	DATE	BY	CHK
	6/24/19	JSP	TMSE
APR			
DESCRIPTION		ECN	SCALE
			NONE
SHEET 2 OF 2		SIZE	A

A-SIZE CUSTOMER