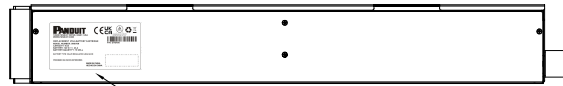
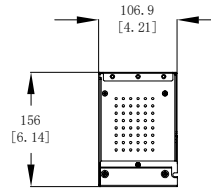
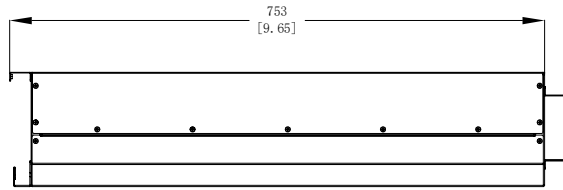
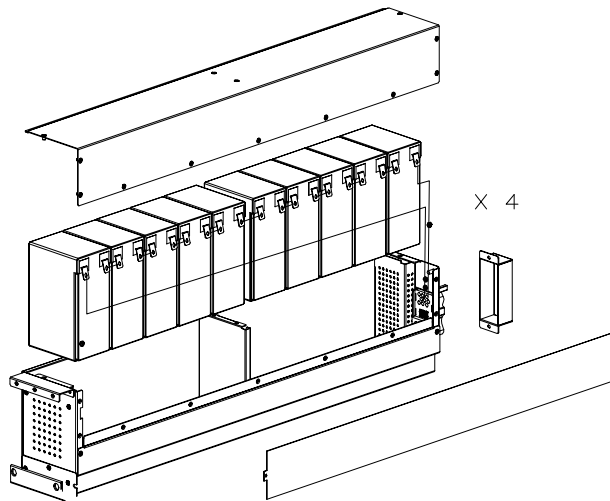


THIS COPY IS PROVIDED ON A RESTRICTED BASIS AND IS NOT TO BE USED IN ANY WAY DETRIMENTAL TO THE INTERESTS OF PANDUIT CORP.



PRODUCT LABEL



1. STANDARD:
- USE WITH UPS CAPACITY: 480V REPLACEMENT VRLA BATTERY CARTRIDGE SET FOR 10-20KVA 3-PHASE UPS EBP
 - BATTERY TYPE: VALVE REGULATED LEAD ACID-NON SPILLABLE
 - NOMINAL INPUT/OUTPUT VOLTAGE: 480VDC
 - BREAKER TYPE: N/A
 - WEIGHT OF Pb(LEAD): 68KG
 - WEIGHT OF H2SO4(SULFURIC ACID): 16KG
2. ADDITIONAL:
NONE
3. ACCESSORY COMPONENTS:
NONE

- NOTES:
1. PRIMARY DIMENSIONS ARE IN MILLIMETERS. SECONDARY DIMENSIONS ARE IN INCHES
 2. INSTALLATION SHALL COMPLY WITH ALL APPLICABLE NATIONAL, STATE, AND LOCAL CODES.
 3. VISIT OUR ON-LINE CATALOG AT WWW.PANDUIT.COM FOR A CURRENT LIST OF PRODUCTS APPLICABLE FOR USE WITH THIS PART
 4. ALL PURCHASED ITEMS CONFORM TO C2-0834 PANDUIT SPECIFICATION FOR CHEMICAL SUBSTANCES TO BE CONTROLLED IN PRODUCT AND PACKAGING

IDENTIFICATION:

PART NUMBER	DESCRIPTION	SHIPPING WEIGHT (KG)
UVD480	480V REPLACEMENT VRLA BATTERY CARTRIDGE SET FOR 3PHASE UPS EBP (4X BATTERY CARTRIDGES)	108.2

REV		DATE		BY		CHK		DESCRIPTION		ECN	
00A	03/10/2022	DAL	ZKZ	GLM/DJB				RELEASE TO PRODUCTION	UVD480		
REV	DATE	BY	CHK	APR				DESCRIPTION	ECN		

WE AGREE THAT YOU HAVE REVIEWED THE CLIENT'S REQUIREMENTS AND THAT YOU WILL PRODUCE THE PARTS AND SERVICES SPECIFIED IN THIS ORDER.	
TITLE: SMARTZONE UPS VRLA BATTERY CARTRIDGE SET UVD480	
PART NUMBER: UVD480/00	
UVD480-DC/00A	
UNLESS OTHERWISE SPECIFIED, DIMENSIONAL TOLERANCES ARE IN [mm]	
N/A	
THIRD ANGLE PROJECTION	
UVD480-DC	

THIS COPY IS PROVIDED ON A RESTRICTED BASIS AND IS NOT TO BE USED IN ANY WAY DETRIMENTAL TO THE INTERESTS OF PANDUIT CORP.

PANDUIT
 18900 PANDUIT DRIVE, 60487, USA
 WWW.PANDUIT.COM

CE UK CA
 Compliant with IEC 1775:2014
 © 2014 CSEI 2014 1013 914


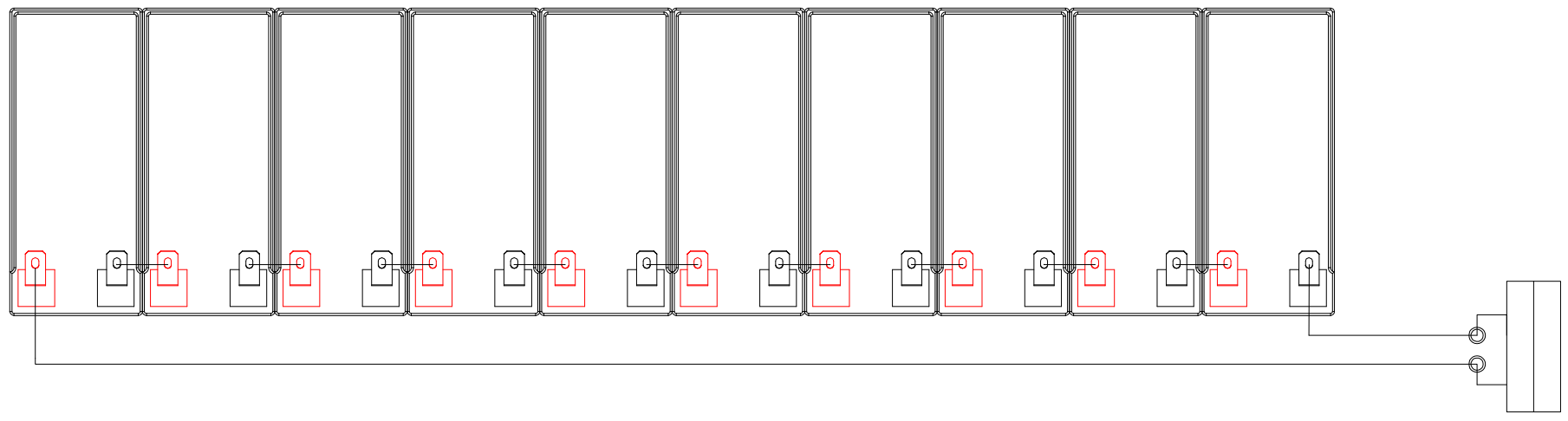
REPLACEMENT VRLA BATTERY CARTRIDGE
 MODEL NUMBER: 0N0V0N
 CAPACITY: 9 Ah
 BATTERY: 120 VDC 43 A
 BATTERY QUANTITY: 10 CELL

BATTERY TYPE: VALVE REGULATED LEAD ACID

PROHIBIDO SU USO EN EXTERIORES

MADE IN CHINA
 HECHO EN CHINA

P/N: UVD480

LEGEND			
	CIRCUIT BREAKER		AC-DC CONVERTER
	RELAY		DC-DC CONVERTER
	CB (CIRCUIT BREAKER)		BATTERY SYMBOL
	DC-DC CONVERTER		FUSE
			BATTERY UNIT

REV	DATE	BY	CHK	APR	DESCRIPTION	ECN
00A	03/10/2022	D.L	ZRZ	GLM/SUB	RELEASE TO PRODUCTION	UVD480

NOTE: THE USER SHALL VERIFY THAT THE CLIENT'S REQUIREMENTS ARE FULLY MET BY THE SUPPLIER'S DESIGN AND MANUFACTURING PROCESS. THE USER SHALL PROCEED WITH THE BUYER'S APPROVAL OF THE BUYER'S APPROVAL PROCESS AS IT MAY AFFECT BUYER'S REQUIREMENTS.

FILE: SMARTZONE UPS VRLA BATTERY CARTRIDGE SET UVD480

PROJECT NUMBER: UVD480/00

CUSTOMER DRAWING: UVD480-DC/00A

UNLESS OTHERWISE SPECIFIED DIMENSIONAL TOLERANCES ARE MM (IN)

SCALE: N/A

THIRD ANGLE PROJECTION

DATE: 03/10/2022

BY: MJD

CHK: VARIOUS

UVD480-DC

SHT 1 OF 2