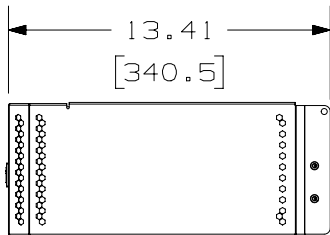
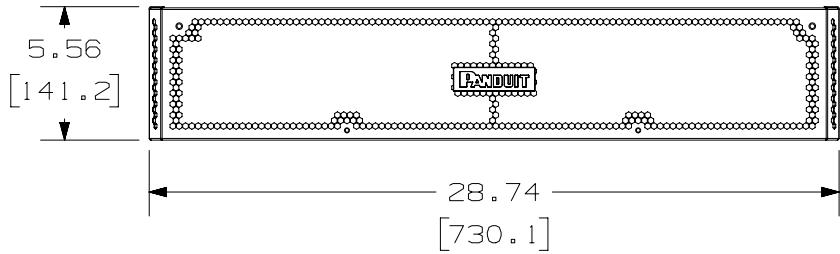
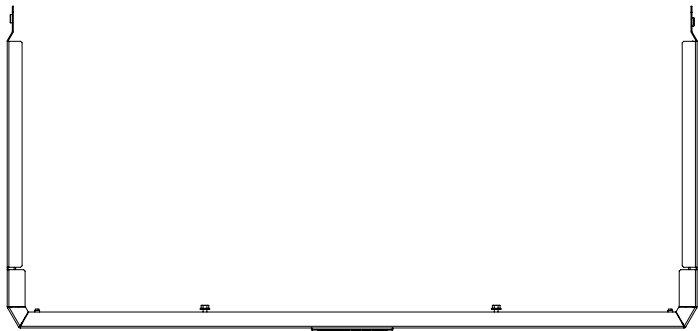


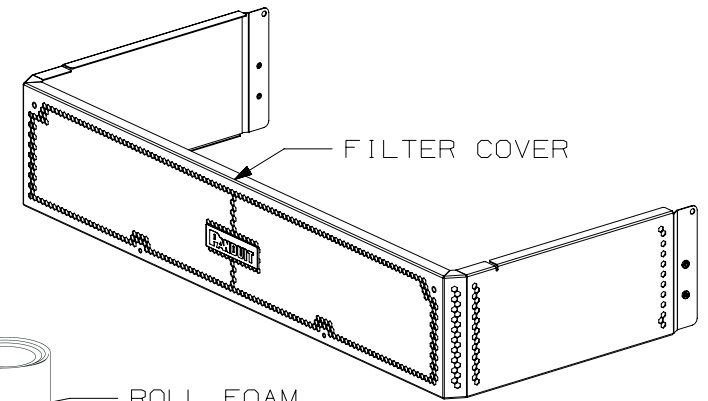
THIS COPY IS PROVIDED ON A RESTRICTED BASIS AND IS NOT TO BE USED IN ANY WAY DETRIMENTAL TO THE INTERESTS OF PANDUIT CORP.

NOTES:

1. VISIT OUR ON-LINE CATALOG AT WWW.PANDUIT.COM FOR A LIST OF CURRENT PARTS APPLICABLE FOR USE WITH THIS PRODUCT.
2. DIMENSIONS IN [ ] ARE METRIC.
3. ALL MATERIALS AND COMPONENTS USED MEET THE MATERIAL RESTRICTIONS OF RoHS (EUROPEAN DIRECTIVE 2011/65/EU ON THE RESTRICTION OF HAZARDOUS SUBSTANCES) AS PROPOSED BY THE RoHS TECHNICAL ADAPTATION COMMITTEE.
4. WEIGHT: 3 lb [ 1.4 kg ]
5. PART INCLUDES:
  - (1) FILTER COVER
  - (1) ROLL FOAM FILTER MEDIA
  - (4) #10-32 SCREWS
  - (2) M4 HEX NUTS



SIDE VIEW



PART NUMBER		<b>WME6BL-FKIT</b>		
TITLE		<b>6RU WALL MOUNT ENCLOSURE FILTER KIT</b>		
		CUSTOMER DRAWING		
ITEM REVISION NAME		02164NAD/02		
DATASET FILE NAME		02164NAD_DC/02A		
		THIRD ANGLE PROJECTION		
MATERIAL		STEEL, POLYURETHANE FOAM		DRAWING NUMBER <b>02164NAD-DC</b>
REV	DATE	BY	CHK	SCALE
02A	8-31-21	MDJR	KZU	NONE
00A	5-10-21	TWV	MDJR	
DESCRIPTION		ECN	SHEET 1 OF 1	
REMOVED WASHERS, LOCK NUTS AND ADDED HEX NUTS IN NOTE 5.		02164NAD-DC	A	
INITIAL RELEASE		02164NAD-DC		

A-SIZE CUSTOMER